

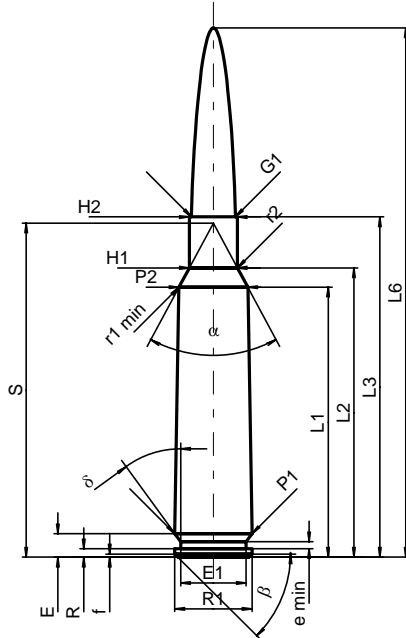
C.I.P.**460 Steyr**

TAB. I

Date 06-05-16

Country of Origin: AT

Revision

**CARTRIDGE MAXI****Lengths**

L1 ¹⁾	=	71.40	-0.20
L2 ¹⁾	=	76.53	-0.20
L3 ¹⁾	=	90.00	
L4	=		
L5	=		
L6	=	140.00	

Case Head

R	=	2.26	
R1	=	20.42	
R3	=		
E	=	6.23	
E1	=	17.27	
e min	=	1.80	
delta	=	36°	
f	=	0.84	
beta	=	45°	

Powder Chamber

P1	=	20.42	
P2 ^{1)*}	=	18.25	-0.20

Junction Cone

alpha*	=	56°38'53"	
S*	=	88.33	
r1 min	=	1.00	
r2	=	3.00	

Collar

H1*	=	12.72	
H2 ¹⁾	=	12.72	

Projectile

G1 ^{1)*}	=	11.65	
G2	=		
F*	=	11.43	
L3+G ¹⁾	=	105.30	

Pressures (Energies)**Method Transducer**

Pmax	=	3700 bar	
PK	=	4255 bar	
PE	=	4625 bar	
M	=	40.00	
EE	=	15000 Joule	

Miscellaneous Dimensions

Fe ¹⁾	=	0.15	
delta L	=		

CHAMBER MINI**Lengths**

L1	=	71.43	
L2	=	76.56	
L3 ¹⁾	=	91.00	

Breech

R	=		
R1	=	20.52	
R2	=		
R3	=		
r	=		

Powder Chamber

E	=	6.23	
P1 ¹⁾	=	20.45	
P2*	=	18.30	

Junction Cone

alpha ^{1)*}	=	55°57'13"	
S*	=	88.66	
r1 max	=	1.00	
r2	=	3.00	

Collar

H1*	=	12.85	
H2 ¹⁾	=	12.75	

Commencement of Rifling

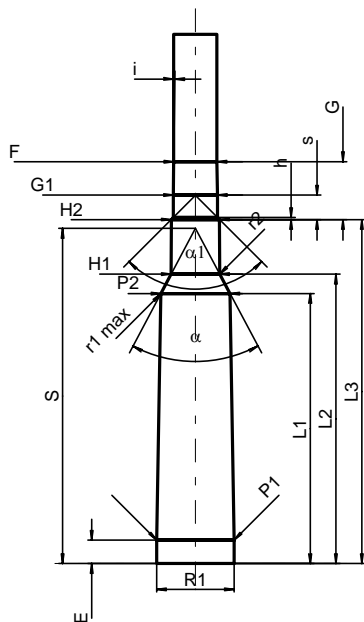
G1 ^{1)*}	=	11.65	
G ¹⁾	=	15.30	
alpha1	=	90°	
h	=	0.55	
s*	=	6.50	
i ^{1)*}	=	0°42'58"	
w	=		

Barrel

F ^{1)*}	=	11.43	
Z ¹⁾	=	11.63	

Grooves

b	=	3.81	
N	=	6	
u	=	356.00	
Q	=	104.94	mm ²



Scale 1:2

Dimensions in << mm >>
Dimensions and Tolerances for Proof Barrels
see Appendix CR 1.

Notes: 1) Check for safety reasons
* Basic dimensions